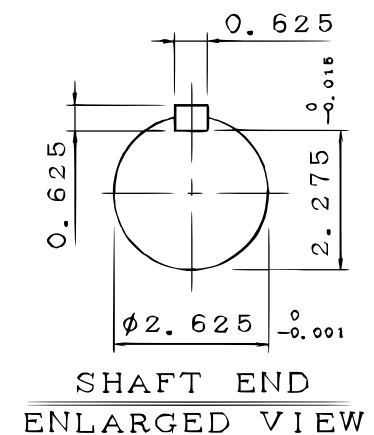
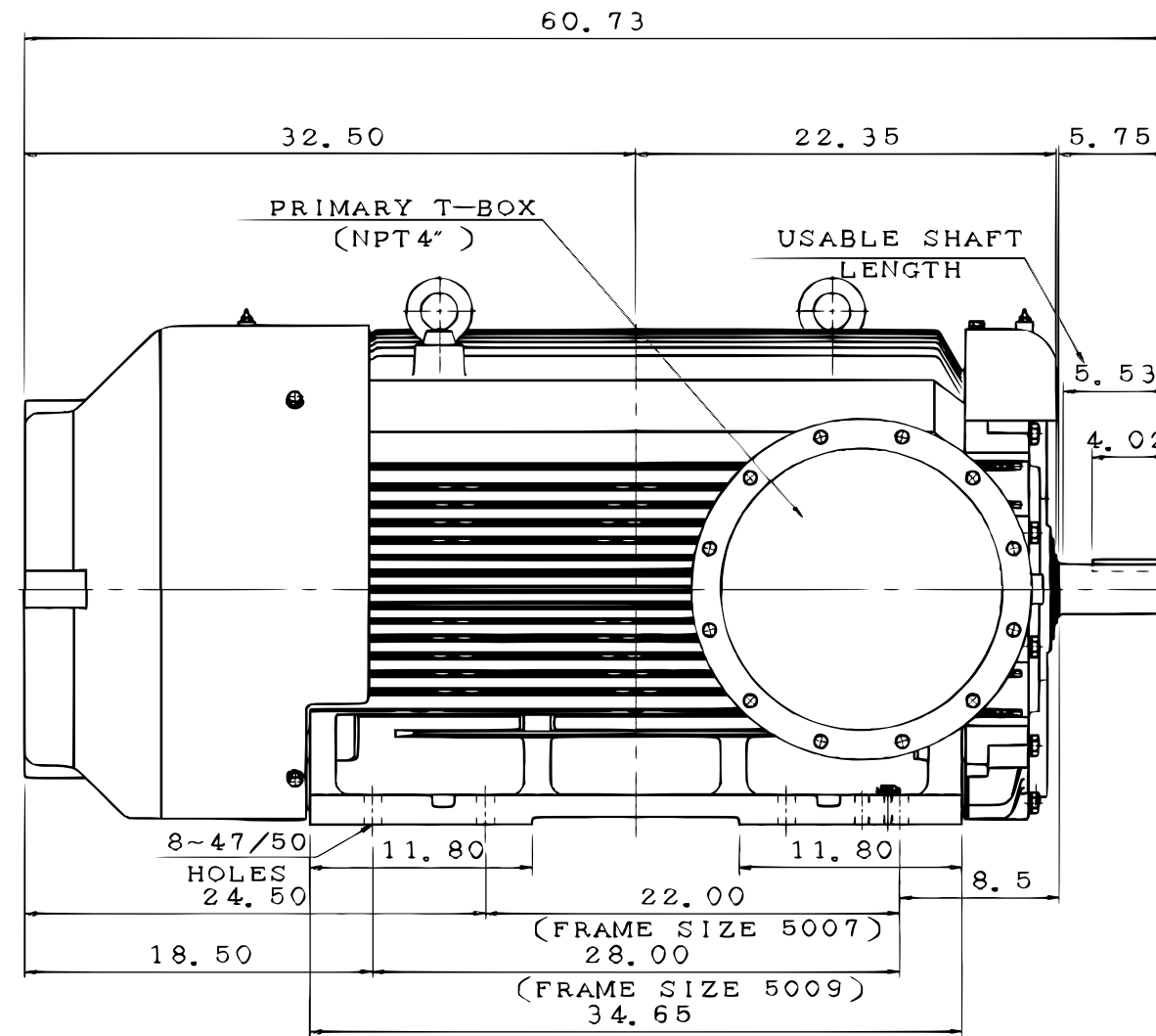
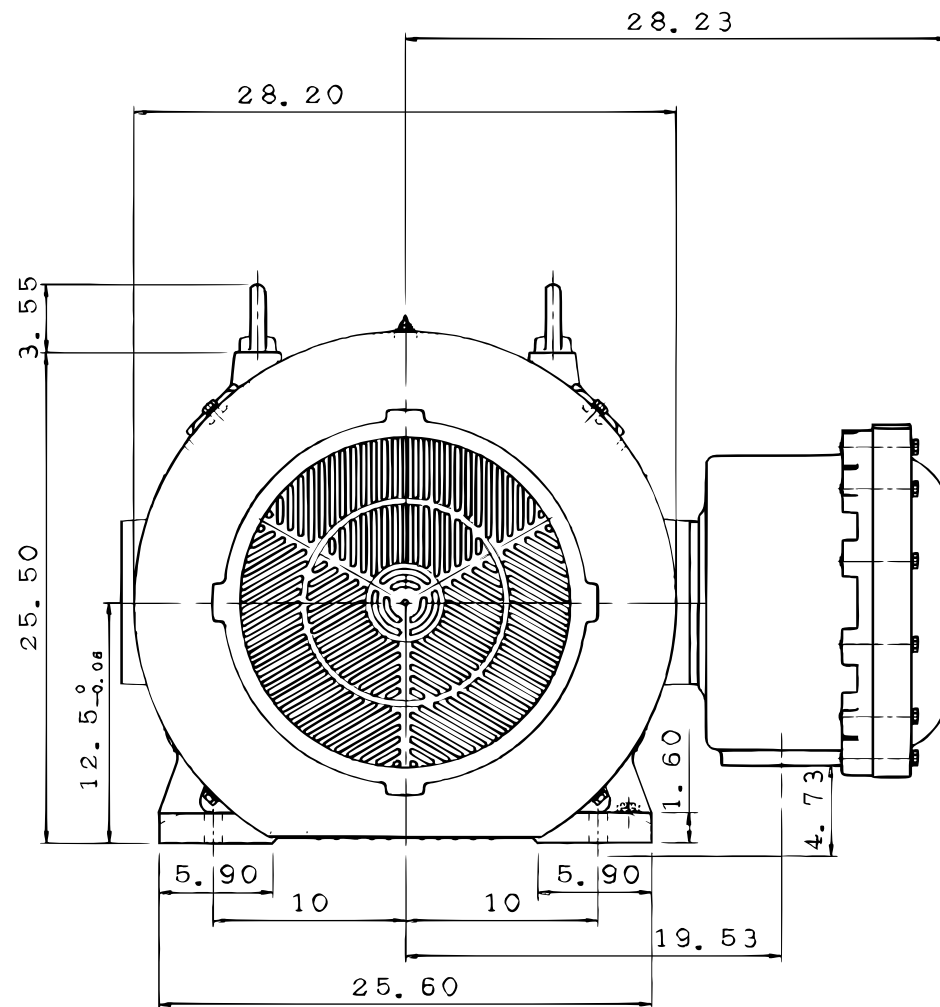


TYPE	OUTPUT		POLE	TIME RATING	VOLTAGE V	Hz	SYN. SPEED R. P. M
	HP.	kW.					
AEHHXU	400	298	2	CONT.	460	60	3600

TOTALLY ENCLOSED FAN-COOLED TYPE, SQUIRREL-CAGE ROTOR.



NOTE:

1. DIMENSIONS IN inch
2. FRAME NO. 5009
3. F CLASS INSULATION, S. F. 1.15
4. FOR DIRECT FLEXIBLE COUPLING
5. ENCLOSURE: IP44
6. BEARING SIZE: DRIVE-END 6316C3
OPP. DRIVE-END 6316C3
7. UL EXPLOSION PROOF
8. NON-SPARKING FAN

DATE	April 3, 2015	OUTLINE DIMENSIONS
CATALOG NO.	XP4002	3-PHASE INDUCTION MOTOR

DWN.	S. WANG	APR•01•2016
CHKD.	C. WANG	APR•01•2016
APPD.	M. HSU	APR•01•2016

TECO Westinghouse

DWG NO. REV:00
4B040Q765